

### 3 Product description

#### 3.1 Configuration

##### Scope of delivery

The scope of delivery encompasses:

- VEGASWING 63 point level switch
- Documentation
  - this operating instructions manual
  - Safety Manual "*Functional safety (SIL)*" (optional)
  - Supplementary instructions manual "*Plug connector for level sensors*" (optional)
  - Ex-specific "*Safety instructions*" (with Ex versions)
  - if necessary, further certificates

##### Constituent parts

The VEGASWING 63 consists of the components:

- Housing cover
- Housing with electronics
- Process fitting with tuning fork

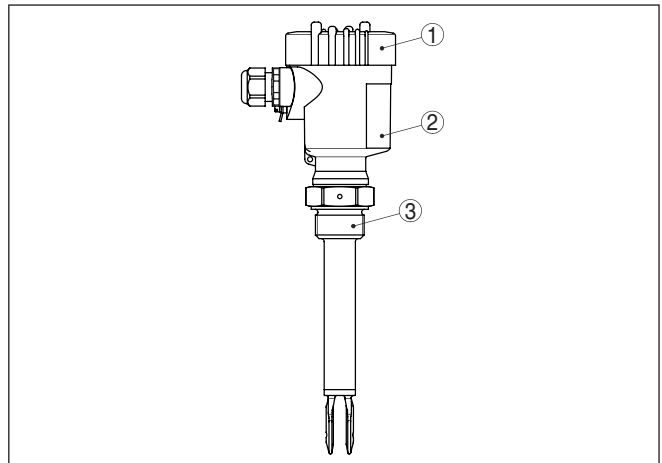


Fig. 1: VEGASWING 63 with plastic housing

- 1 Housing cover
- 2 Housing with electronics
- 3 Process fitting

##### Type label

The type label contains the most important data for identification and use of the instrument:

- Article number
- Serial number
- Technical data
- Article numbers, documentation
- SIL identification (with SIL rating ex works)

With the serial number, you can access the delivery data of the instrument via [www.vega.com](http://www.vega.com), "VEGA Tools" and "serial number search".